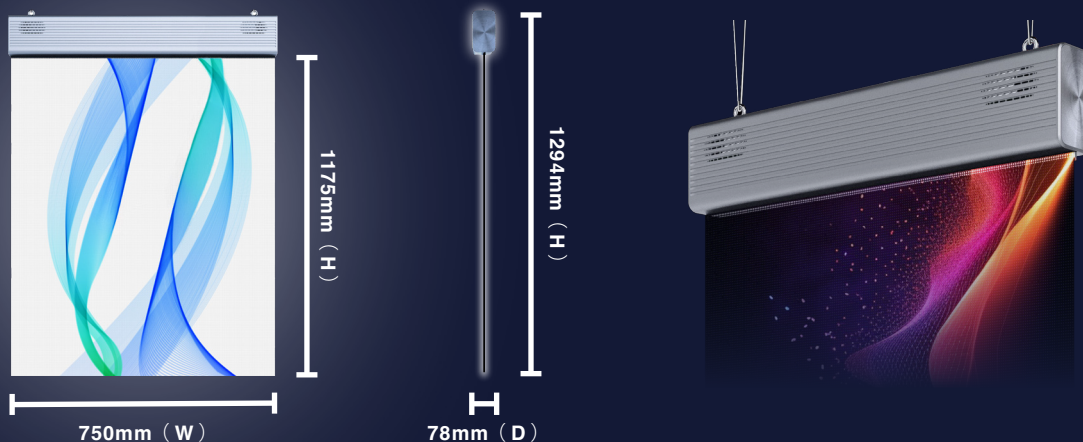


# HMP2-55

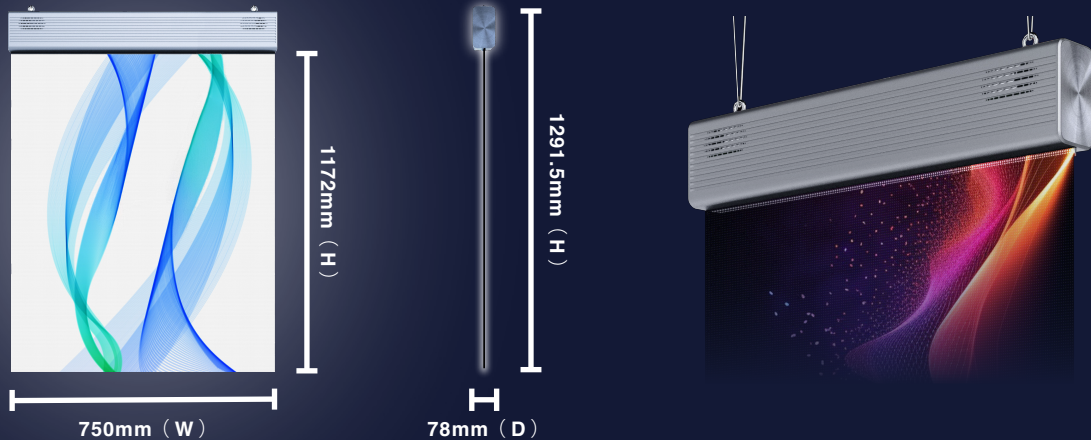


## Specifications

## Indoor LED Mesh Hanging Poster

Pixel Pitch (mm)	2.5
Resolution (dot) (w*h)	300 x 470
Display Dimension (mm) (w*h)	750 x 1175
Profile Dimension (mm) (w*h*d)	766 x 1294 x 78
Pixel Density (dot/m <sup>2</sup> )	160,000
LED Specification	SMD1515 (IC Chip Built-In)
Encapsulation Type	Light Board & Driving Board Integrated
Brightness(cd/m <sup>2</sup> )	≥1200
Transparency Rate	85%
Scanning Mode	Static Driving (Single Pixel Single Control)
Frame Rate (Hz)	60 ~ 120
Installation Method	Hanging
Color Temperature (K)	3000 ~ 10000
Pixel Configuration	16 bit
Maximum Power Consumption (w/m <sup>2</sup> )	865 W
Average Power Consumption (w/m <sup>2</sup> )	330
Lifespan	≥100,000.00 hours
Working Temperature	-20°C ~ 50°C
Working Humidity	20% ~ 85% (Without Condensation)
Protection Degree	IP 20

# HMP3-55

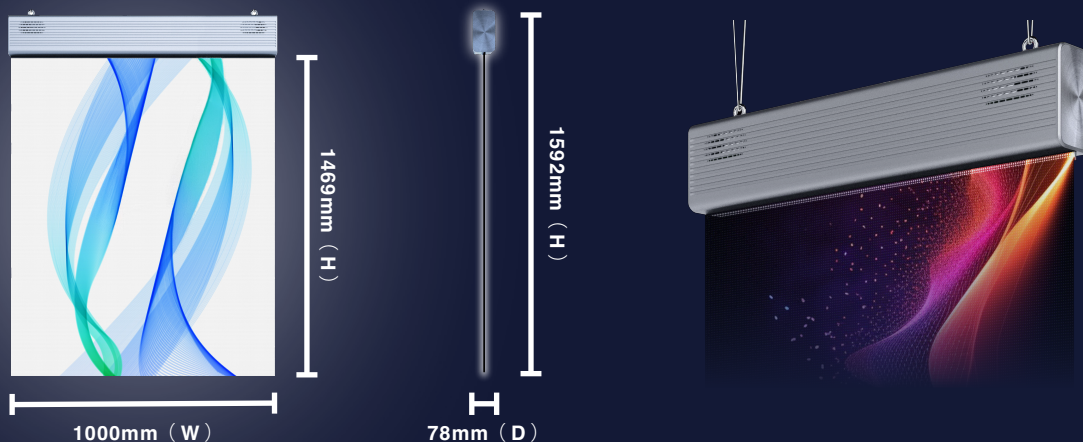


## Specifications

## Indoor / Semi Outdoor LED Mesh Hanging Poster

Pixel Pitch (mm)	3.91
Resolution (dot) (w*h)	192 x 300
Display Dimension (mm) (w*h)	750 x 1172
Profile Dimension (mm) (w*h*d)	766 x 1291.5 x 78
Pixel Density (dot/m <sup>2</sup> )	65,536
LED Specification	SMD2121 (IC Chip Built-In)
Encapsulation Type	Light Board & Driving Board Integrated
Brightness(cd/m <sup>2</sup> )	≥3500 (Black Light) ≥ 4500 (White Light)
Transparency Rate	92%
Scanning Mode	Static Driving (Single Pixel Single Control)
Frame Rate (Hz)	60 ~ 120
Installation Method	Hanging
Color Temperature (K)	3000 ~ 10000
Pixel Configuration	16 bit
Maximum Power Consumption (w/m <sup>2</sup> )	865 W
Average Power Consumption (w/m <sup>2</sup> )	330
Lifespan	≥100,000.00 hours
Working Temperature	-20°C ~ 50°C
Working Humidity	20% ~ 85% (Without Condensation)
Protection Degree	IP 20

# HMP3-70

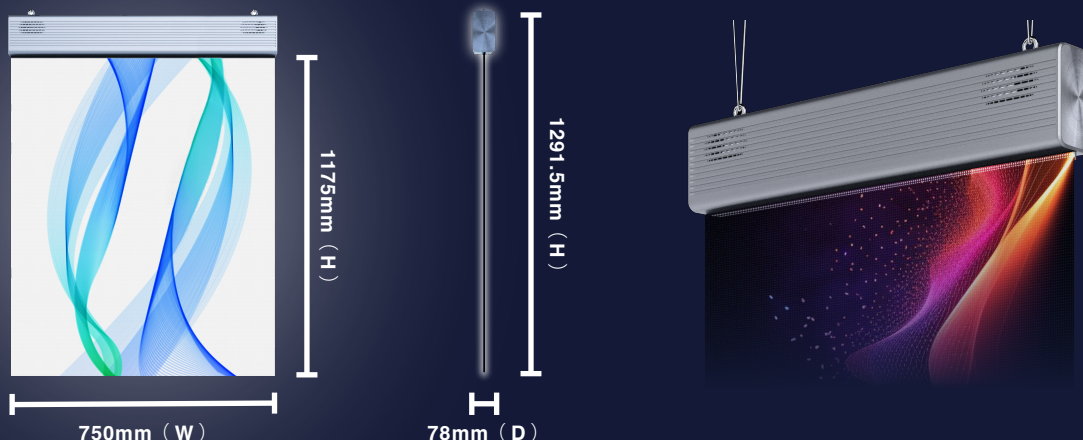


## Specifications

## Indoor / Semi Outdoor LED Mesh Hanging Poster

Pixel Pitch (mm)	3.91
Resolution (dot) (w*h)	256 x 376
Display Dimension (mm) (w*h)	1000 x 1469
Profile Dimension (mm) (w*h*d)	1016 x 1592 x 78
Pixel Density (dot/m <sup>2</sup> )	65,536
LED Specification	SMD2121 (IC Chip Built-In)
Encapsulation Type	Light Board & Driving Board Integrated
Brightness(cd/m <sup>2</sup> )	≥3500(Black Light) ≥ 4500(White Light)
Transparency Rate	92%
Scanning Mode	Static Driving (Single Pixel Single Control)
Frame Rate (Hz)	60 ~ 120
Installation Method	Hanging
Color Temperature (K)	3000 ~ 10000
Pixel Configuration	16 bit
Maximum Power Consumption (w/m <sup>2</sup> )	865 W
Average Power Consumption (w/m <sup>2</sup> )	330
Lifespan	≥100,000.00 hours
Working Temperature	-20°C ~ 50°C
Working Humidity	20% ~ 85% (Without Condensation)
Protection Degree	IP 20

# HMP6-55

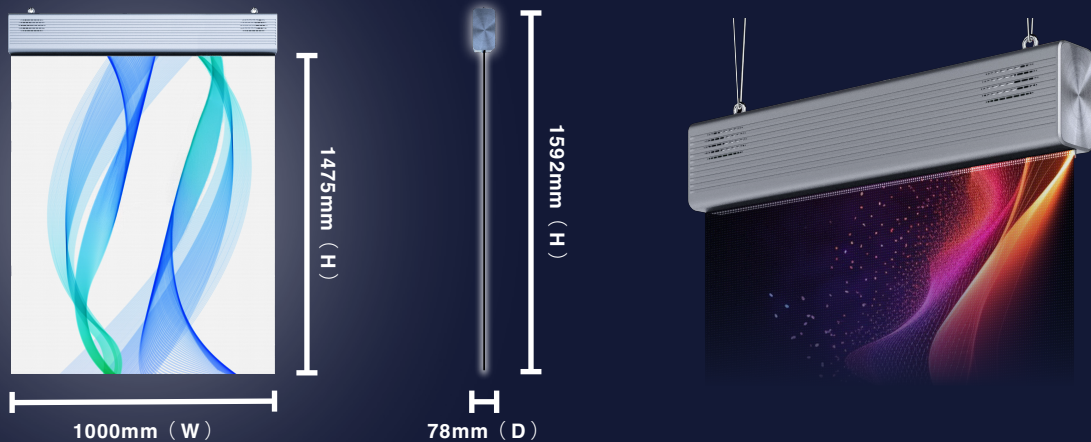


## Specifications

## Indoor / Semi Outdoor LED Mesh Hanging Poster

Pixel Pitch (mm)	6.25
Resolution (dot) (w*h)	120 x 188
Display Dimension (mm) (w*h)	750 x 1175
Profile Dimension (mm) (w*h*d)	766 x 1291.5 x 78
Pixel Density (dot/m <sup>2</sup> )	25,600
LED Specification	SMD2121 (IC Chip Built-In)
Encapsulation Type	Light Board & Driving Board Integrated
Brightness(cd/m <sup>2</sup> )	≥ 5000 (White Light)
Transparency Rate	95%
Scanning Mode	Static Driving (Single Pixel Single Control)
Frame Rate (Hz)	60 ~ 120
Installation Method	Hanging
Color Temperature (K)	3000 ~ 10000
Pixel Configuration	16 bit
Maximum Power Consumption (w/m <sup>2</sup> )	865 W
Average Power Consumption (w/m <sup>2</sup> )	330
Lifespan	≥100,000.00 hours
Working Temperature	-20°C ~ 50°C
Working Humidity	10% ~ 85% (Without Condensation)
Protection Degree	IP 20

# HMP6-70



## Specifications

## Indoor / Semi Outdoor LED Mesh Hanging Poster

Pixel Pitch (mm)	6.25
Resolution (dot) (w*h)	160 x 236
Display Dimension (mm) (w*h)	1000 x 1475
Profile Dimension (mm) (w*h*d)	1016 x 1592 x 78
Pixel Density (dot/m <sup>2</sup> )	25,600
LED Specification	SMD2121 (IC Chip Built-In)
Encapsulation Type	Light Board & Driving Board Integrated
Brightness(cd/m <sup>2</sup> )	≥ 5000 (White Light)
Transparency Rate	95%
Scanning Mode	Static Driving (Single Pixel Single Control)
Frame Rate (Hz)	60 ~ 120
Installation Method	Hanging
Color Temperature (K)	3000 ~ 10000
Pixel Configuration	16 bit
Maximum Power Consumption (w/m <sup>2</sup> )	865 W
Average Power Consumption (w/m <sup>2</sup> )	330
Lifespan	≥100,000.00 hours
Working Temperature	-20°C ~ 50°C
Working Humidity	20% ~ 85% (Without Condensation)
Protection Degree	IP 20